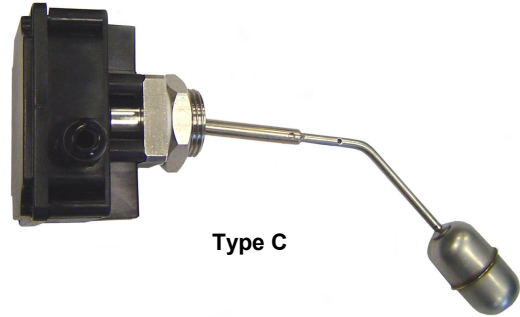


## GENERAL CHARACTERISTICS

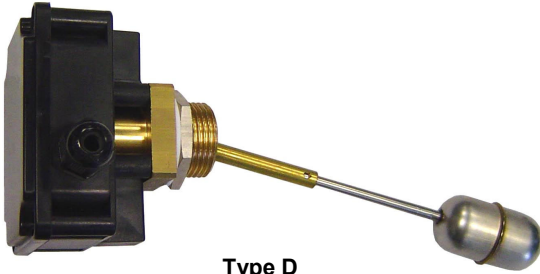


These level switches, with their reduced dimensions and simplicity of installation, constitute a reliable solution for the control of liquids in all applications where it is necessary to mount a lateral type. Suitable for use with process temperature up to 180 ° C.



Type C

- 1 or 2 microswitches.
- Supporting adjustable float-rod
- Executions in Brass and AISI-316
- Maximum working pressure 25 bar
- Operating ambient temperature -30 /+55 °C - 90% RH
- Maximum working temperature 180 °C
- Degree of protection IP65



Type D

## TECHNICAL DATA

Tab.1

Process connection Ø DN	Float - S50 S.G.	Max. pressure Bar	Max. temperature °C	Hysteresis mm	Weight g	
1"	25	0,7	25	180	max. 20	440

### Male thread

<b>G</b>
Parallel UNI 228/1

### Body materials

<b>O</b>	<b>S</b>
Brass	AISI-316

### Float materials

<b>S50</b>	<b>Rod</b>
AISI-316	AISI-303

## ELECTRICAL CONTACTS

Tab.2

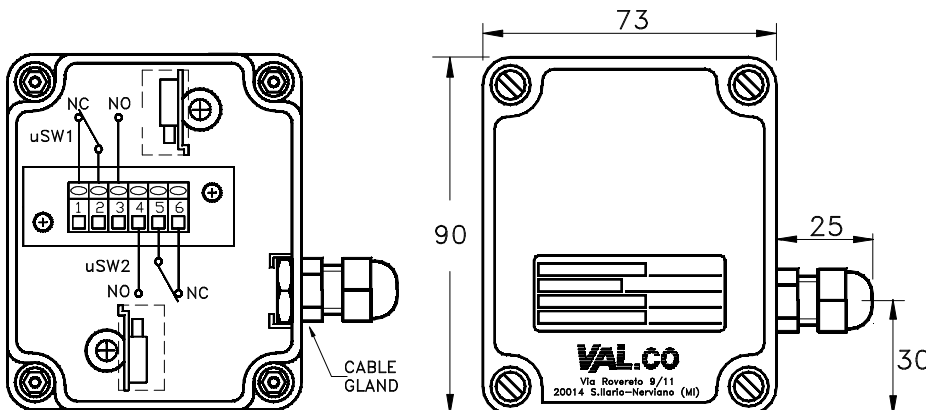
Microswitch	TYPE		VOLTAGE		CURRENT	
	L1 = N.1	L2 = N.2	AC	DC	AC	DC
SPDT	7		250V	48V	3A (cosφ=1)	3A

## Wiring

<b>1</b>	<b>3</b>
Independent Separately wired microswitches	SPDT Changeover contacts

## ELECTRICAL OUTPUT

Tab.3

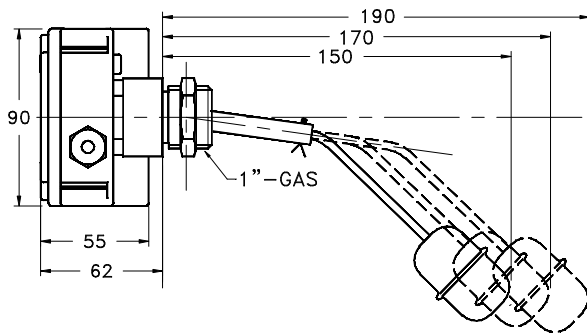


<b>W</b>
IP65 Housing PA6 + glass fiber
6 terminals Polyamide cable gland PG9

## SWITCH POINTS TYPE C ROD

Tab.4

Switch points of the microswitches reported to the mechanical axis of the instrument with liquid having S.G. = 1



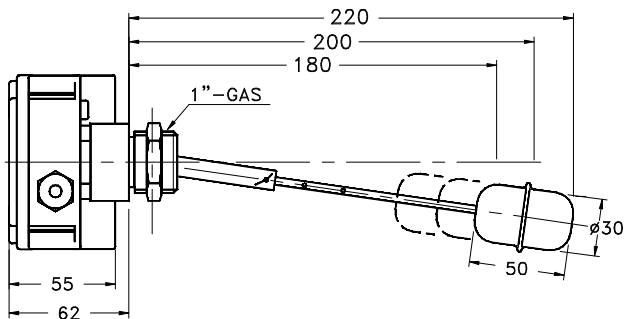
Rod length	Microswitch 1		Microswitch 2	
	ON	OFF	ON	OFF
Long	- 46	- 63	- 32	- 49
Medium	- 48	- 61	- 34	- 47
Short	- 50	- 60	- 36	- 46

General tolerances on the switch points  $\pm 5$  mm.  
All measurements are in mm.

## SWITCH POINTS TYPE D ROD

Tab.5

Switch points of the microswitches reported to the mechanical axis of the instrument with liquid having S.G. = 1



Rod length	Microswitch 1		Microswitch 2	
	ON	OFF	ON	OFF
Long	0	- 20	+ 20	0
Medium	0	- 18	+ 18	0
Short	0	- 16	+ 16	0

General tolerances on the switch points  $\pm 5$  mm.  
All measurements are in mm.

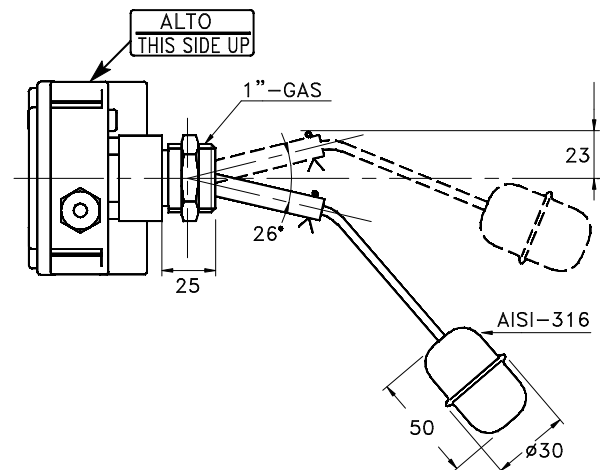
## ASSEMBLY AND INSTALLATION

### Float assembly

- Remove the blocking pin from the rod of the float.
- Insert the rod of the float into the pipe and block it with the pin.
- The float can have 3 different positions depending on the tank and the desired switch point.
- Caution:** To avoid any type of damage to the float, during assembly, work always holding the rod, not the float itself.

### Installation of the instrument in the tank

- Always insert the PTFE sealing gasket between the level control and the tank.
- Caution:** During installation, handle the level switch only by the electrical head without forcing the float.



## NOMENCLATURE

L2	S50	7	C	25	G	O	W	I33
•								
	•							
		•						
			•					
				•				
					•			
						•		
							•	
								•

Tab.2	Number of electrical contacts L1÷ L2
Tab.1	Float
Tab.2	Type of the contacts
Tab.4-5	Type of the rod
Tab.1	Process connection dimension
Tab.1	Process connection thread
Tab.1	Process connection material
Tab.3	Electrical output
Tab.2	Wiring and contact status